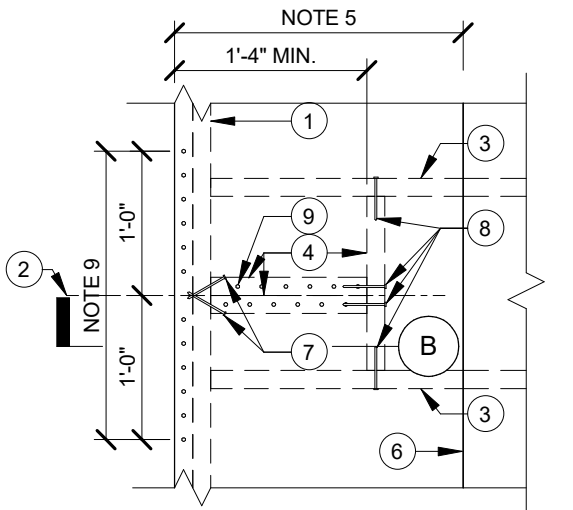
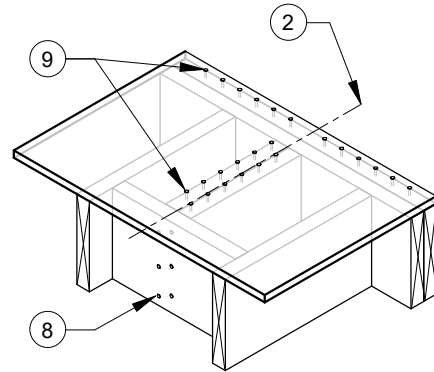


**NOTES:**

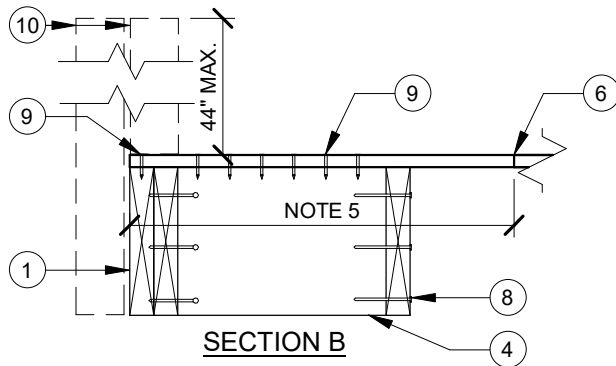
1. EDGE MEMBER WITH MIN. 3" NET WIDTH, MIN. 9-1/4" HEIGHT.
2. CENTER LINE OF TOP- OR SIDE-MOUNTED GUARD POST WITH 44" MAX HEIGHT.
3. TYPICAL JOIST (NOMINAL OR ENGINEERED LUMBER) WITH MIN. 9-1/4" HEIGHT.
4. FULL DEPTH BLOCKING WITH MIN. 9-1/4" HEIGHT.
5. FLOOR SHEATHING TO BE CONTINUOUS FOR A MIN. OF 2'-0" FROM EDGE, TYP.
6. JOINT IN FLOOR SHEATHING.
7. 6 - 16d COMMON (3 1/2" x 0.162") TOENAILS, STAGGERED, TYP.
8. 6 - 16d COMMON (3 1/2" x 0.162") NAILS, TYP.
9. 12 - 10d COMMON (3" x 0.148") NAILS BETWEEN FLOOR SHEATHING AND EDGE BEAM, JOIST OR BLOCKING, TYP.
10. TOP- OR SIDE-MOUNTED GUARD POST.



**TOP VIEW: JOISTS PERPENDICULAR TO  
EDGE, GUARD POST OFFSET FROM JOISTS**

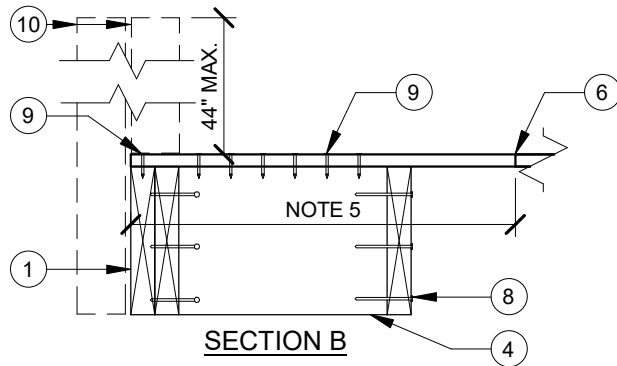
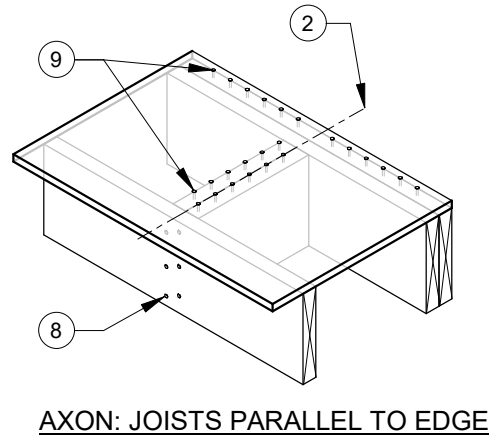
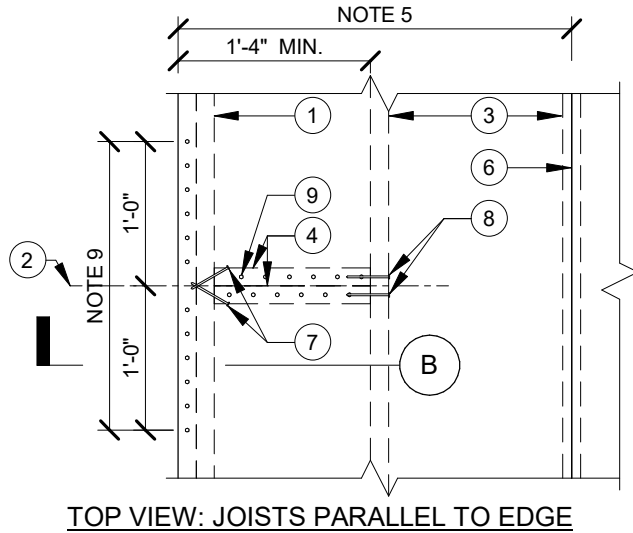


**AXON: JOISTS PERP. TO EDGE,  
GUARD POST OFFSET FROM JOISTS**



**NOTES:**

1. EDGE MEMBER WITH MIN. 3" NET WIDTH, MIN. 9-1/4" HEIGHT.
2. CENTER LINE OF TOP- OR SIDE-MOUNTED GUARD POST WITH 44" MAX HEIGHT.
3. TYPICAL JOIST (NOMINAL OR ENGINEERED LUMBER) WITH MIN. 9-1/4" HEIGHT.
4. FULL DEPTH BLOCKING WITH MIN. 9-1/4" HEIGHT.
5. FLOOR SHEATHING TO BE CONTINUOUS FOR A MIN. OF 2'-0" FROM EDGE, TYP.
6. JOINT IN FLOOR SHEATHING.
7. 6 - 16d COMMON (3 1/2" x 0.162") TOENAILS, STAGGERED, TYP.
8. 6 - 16d COMMON (3 1/2" x 0.162") NAILS, TYP.
9. 12 - 10d COMMON (3" x 0.148") NAILS BETWEEN FLOOR SHEATHING AND EDGE BEAM, JOIST OR BLOCKING, TYP.
10. TOP- OR SIDE-MOUNTED GUARD POST.



**NOTES:**

1. EDGE MEMBER WITH MIN. 3" NET WIDTH, MIN. 9-1/4" HEIGHT.
2. CENTER LINE OF TOP- OR SIDE-MOUNTED GUARD POST WITH 44" MAX HEIGHT.
3. TYPICAL JOIST (NOMINAL OR ENGINEERED LUMBER) WITH MIN. 9-1/4" HEIGHT.
4. FULL DEPTH BLOCKING WITH MIN. 9-1/4" HEIGHT.
5. FLOOR SHEATHING TO BE CONTINUOUS FOR A MIN. OF 2'-0" FROM EDGE, TYP.
6. JOINT IN FLOOR SHEATHING.
7. 6 - 16d COMMON (3 1/2" x 0.162") TOENAILS, STAGGERED, TYP.
8. 6 - 16d COMMON (3 1/2" x 0.162") NAILS, TYP.
9. 12 - 10d COMMON (3" x 0.148") NAILS BETWEEN FLOOR SHEATHING AND EDGE BEAM, JOIST OR BLOCKING, TYP.
10. TOP- OR SIDE-MOUNTED GUARD POST.